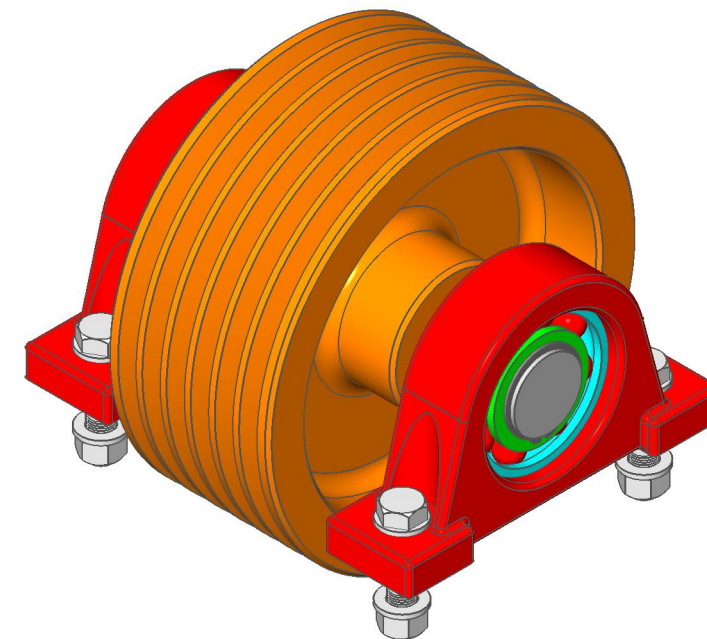
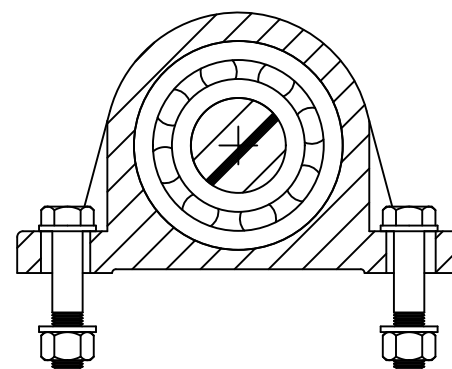
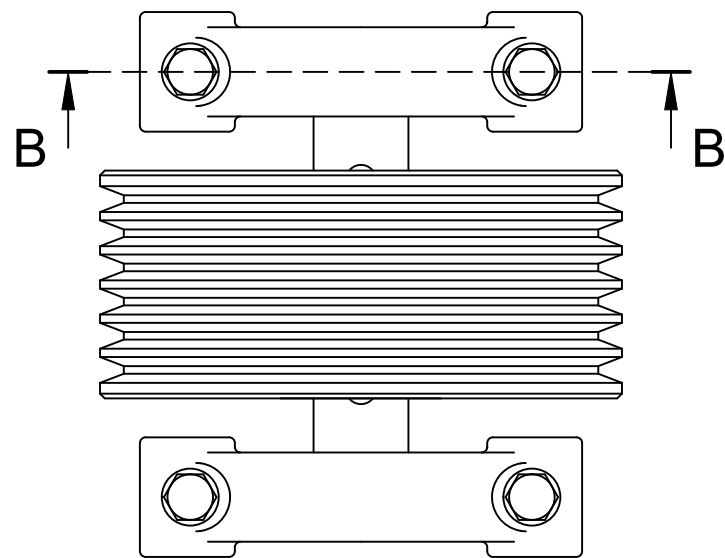
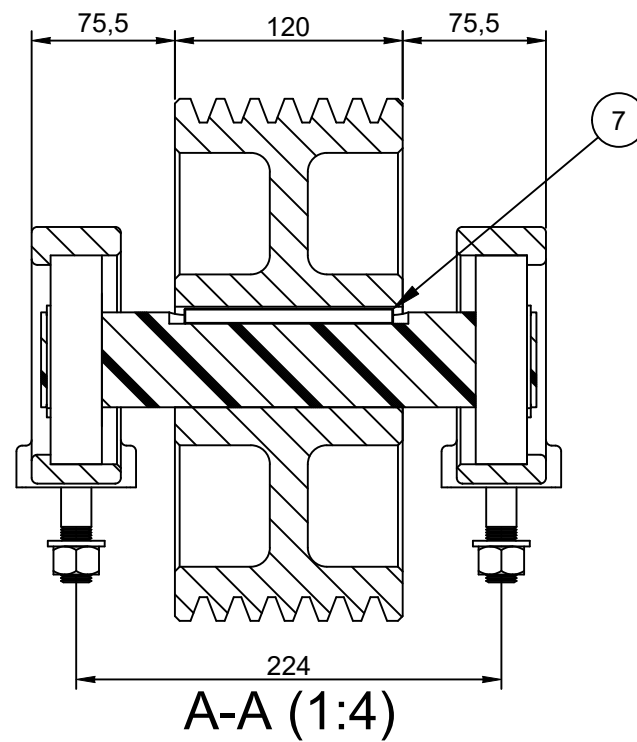
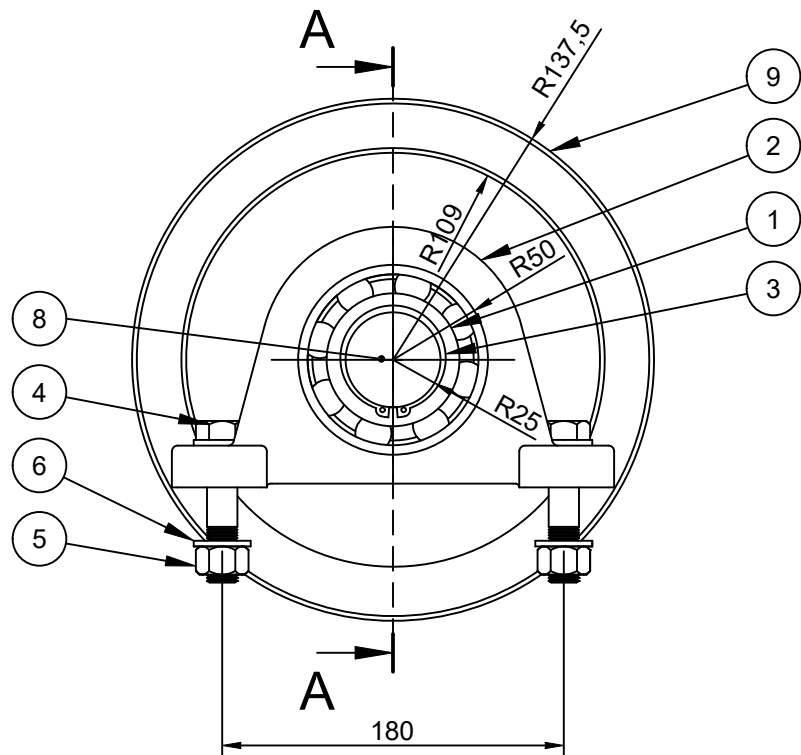


Bill of Materials Small_Deflector_Sheave_assembly

No.	Component	Quantity	Material	Mass	Type	Bore	Length	OutsideDiameter
1	Ball_Bearing_param	2	Steel	0.88 kg	6310	50.00		110.00
2	Bearing_support	2	Iron	3.49 kg				
3	DIN 471xD5H-50	2	Steel	11.30 g				
4	ISO 4017xM16 X 1.5x75	4	Steel	0.15 kg				
5	ISO 4032xM16 X 1.5x0	4	Steel	38.46 g				
6	ISO 7089xM17x0	8	Steel	11.52 g				
7	Pin_16x10x110	1	Steel	0.11 kg				
8	Shaft	1	Steel	4.00 kg			261.00	
9	Small_Deflector_Sheave	1	Iron	23.38 kg				



Drawn By Igor Sachek	Checked By	Approved By - Date	File Name	Date 09.07.2019	Scale 1:1
Bricsys nv - European Headquarters Bellevue 5/201 - 9050 Gent - Belgium			SMALL DEFLECTOR SHEAVE ASSEMBLY		Revision ####